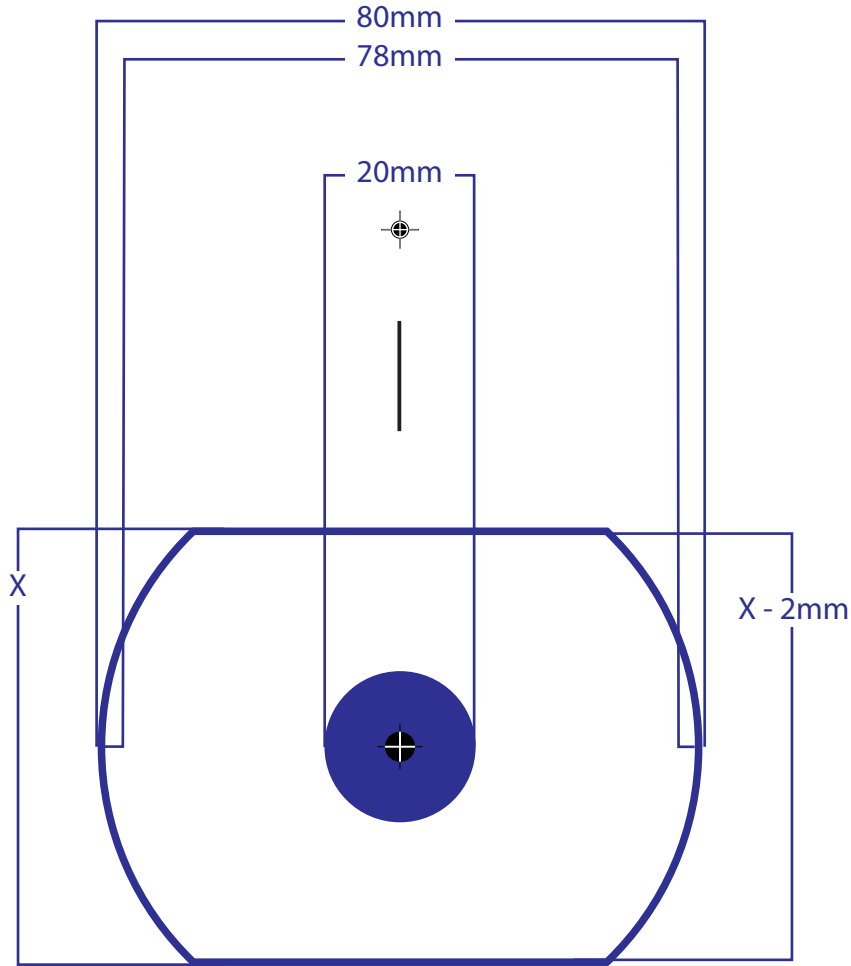


General Business Card Disc label Specifications



X= 55 20MB
X= 58 40MB
X= 60 50MB
X= 62 65MB

X= 64 80MB
X= 64 85MB
X= 68 100MB
X= 70 125MB

Ink Colors Used:

Pantone 1st
 Pantone 2nd
 Pantone 3rd
 Pantone 4th
 Pantone 5th

Used for specific colors. Don't use for 4-color process
 For optimal color, a white flood coat is generally required

Disc Label Specifications

CD Size X * 80 mm
 Printable Area X- 2mm * 78 mm
 Center no print 20 mm

- All fonts and images must be included with the art file and saved on disk or converted to outlines. Embedding images and fonts is recommended.
- Artwork may bleed outside blue no-print areas if being sent electronically, however, no art may appear outside the printable area or over the center hole (blue areas) when film is developed. Make a "Clipping Mask" to eliminate artwork that falls outside the print area.
- Resolution of film output should be 1200X2400 and 100 lpi for Pantone colors or 133 lpi for process. Offset printing resolution should be 185 lpi.
- Film for silk screen is positive, emulsion side up, right reading.
- Film for offset is negative, emulsion down, right reading.
- Keep all registration marks and color keys.
- To ensure accurate color matching, provide a hard copy color proof with this file.